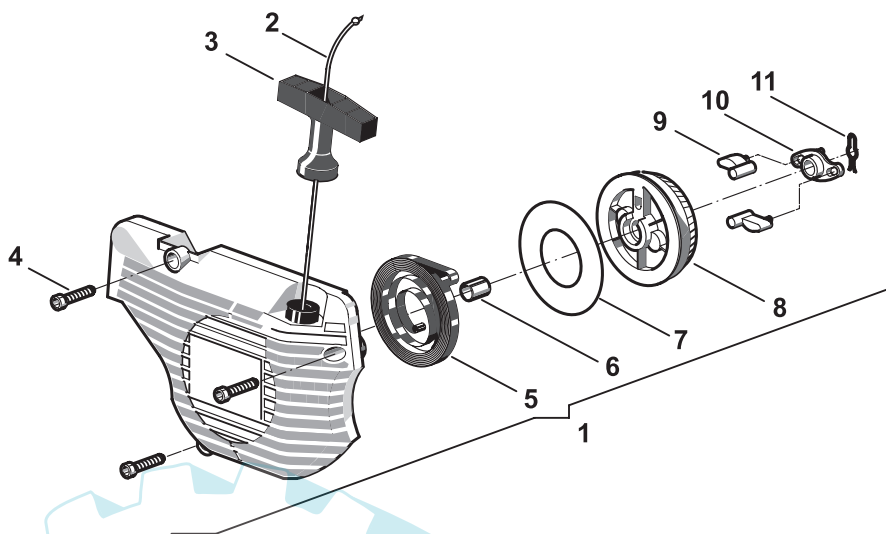
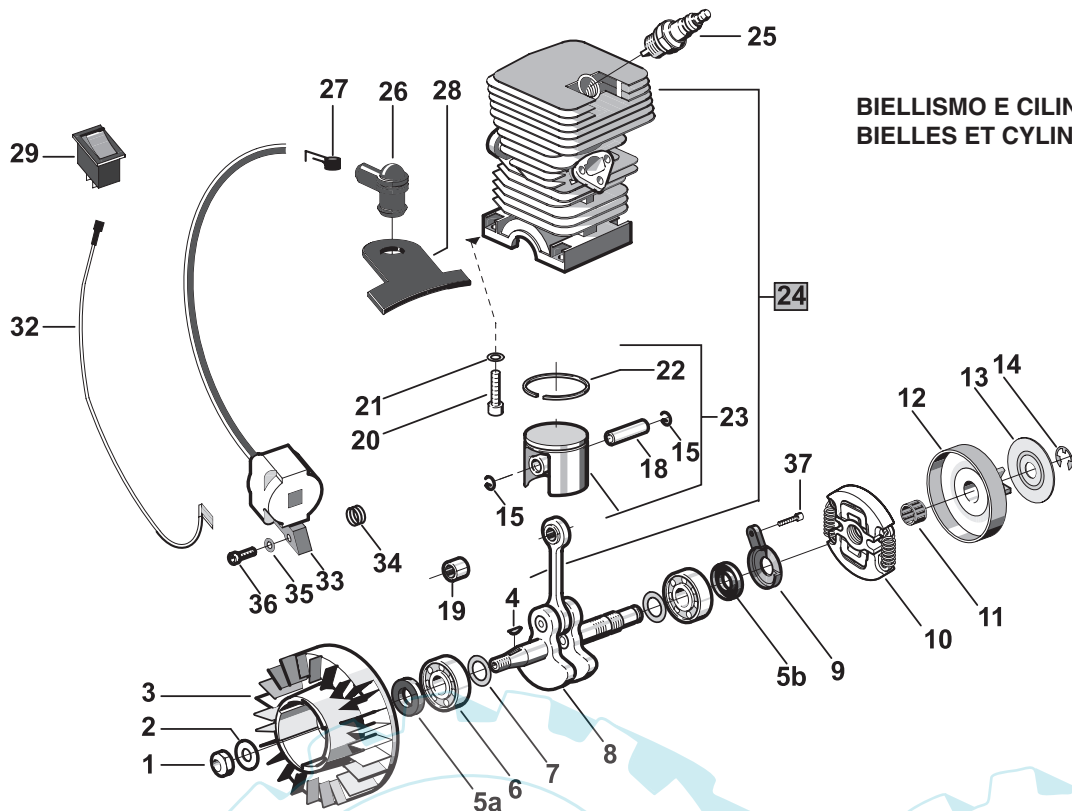


AVVIAMENTO, STARTER, DÉMARREUR, STARTER



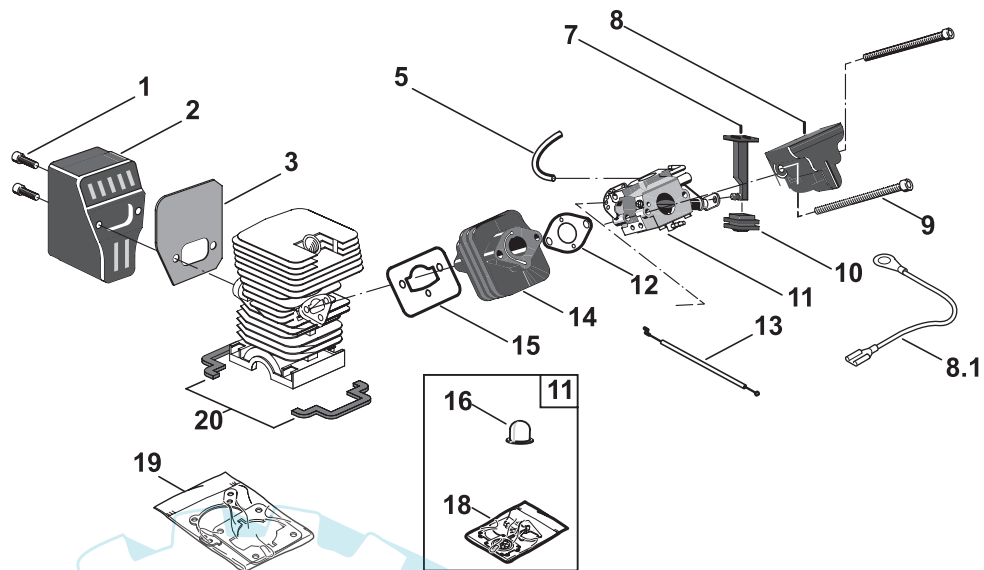
N°	Code	Q.ty	Descrizione	Description	Description	Beschreibung	Remarks
1	4252340	1	Ass. Carter Avv. Giallo (2+11)	Carter Assy Yellow	Carter Démarrage Jaune	Startergeh. Gelb	
1	4252343	1	Ass. Carter Avv. Rosso (2+11)	Carter Assy Red	Carter Démarrage Rouge	Startergeh. Rot	
1	4252345	1	Ass. Carter Avv. Arancione (2+11)	Carter Assy Orange	Carter Démarrage Orange	Startergeh. Orange	
2	3784030	1	Fune Avviamento	Starter Cord	Câble Démarrage	Siel Starter	
3	3750067	1	Impugnatura Avviamento	Starter Handle	Poignée Démarrage	Griff Starter	
4	2123030	3	Vite	Screw	Vis	Schraube	
5	4611480	1	Molla Avviamento	Starter Spring	Ressort Démarrage	Starterfeder	
6	3623590	1	Boccola	Bushing	Douille	Büchse	
7	3723640	1	Disco Per Molla Avviamento	Disc	Disque Ressort Démarrage	Scheibe F. Starterfeder	
8	3750130	1	Puleggia Avviamento	Starter Pulley	Poulie Démarrage	Riemenscheibe Starter	
9	3750080	2	Agganci Avviamento	Starter Hook	Crochets Démarrage	Klemme Starter	
10	3750140	1	Guida Agganci Avviamento	Starter Hook Guide	Guides Crochets Démarrage	Klemmenführung Starter	
11	3657480	1	Fermo	Retainer	Butée	Sperrung	



BIELLISMO E CILINDRO, CRANKSHAFT AND CYLINDER
 BIELLES ET CYLINDRE, PLEUELWERK UND ZYLINDER

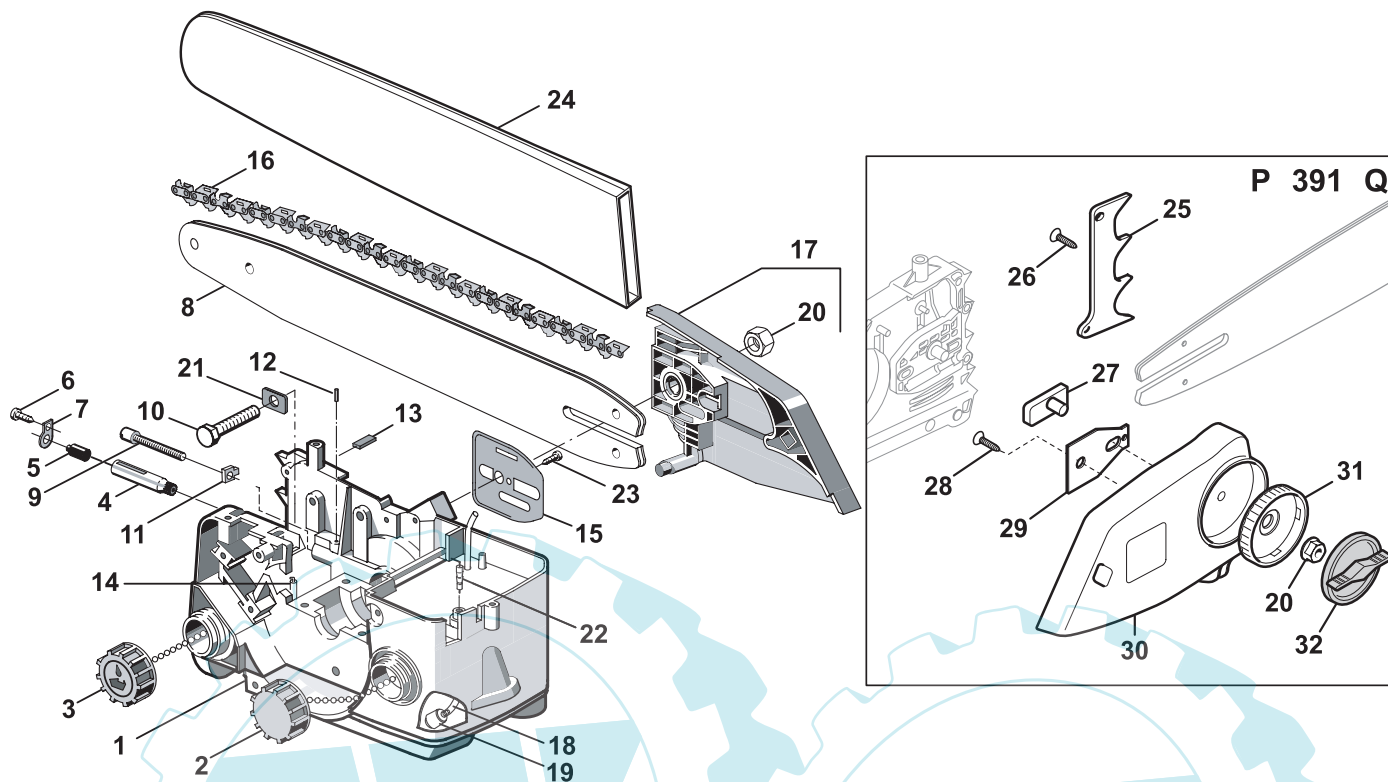
N°	Code	Q.ty	Descrizione	Description	Description	Beschreibung	Remarks
1	2432050	1	Dado	Nut	Ecrou	Mutter	
2	2312080	1	Rosetta	Washer	Rondelle	Scheibe	
3	4541210/1	1	Volano Magnete	Flywheel	Volant Aimant	Schwungrad Magnet	
4	3151010	1	Linguetta Volano	Flywheel Key	Languette Volant	Lasche Schwungrad	
5a	3121071	1	Anello Di Tenuta Lato Volano	Seal Ring	Anneau Tenue Côté Volant	Dichtring Schwungrad	
5b	3121072	1	Anello Di Tenuta Lato Frizione	Seal Ring	Anneau Tenue Côté Friction	Dichtring Kupplung	
6	3112030	2	Cuscinetto Banco	Ball Bearing	Roulement Banc	Lager	
7	3614480	2	Rasamento Albero Motore	Washer	Rondelle Arbre Moteur	Passsch. Welle Motor	
8	4251960/1	1	Ass.Albero Motore (Inc.19)	Crankshaft (+19)	Arbre Moteur (+19)	Set Motorwelle(+19)	
9	3750311	1	Coperchio Parapolvere	Case	Couvercle Pare-Poussières	Staubschutzabd.	
10	4252200/1	1	Ass.Frizione	Clutch Assy	Friction	Set Kupplung	
11	3114190	1	Gabbia A Rulli	Needle Bearing	Cage À Roulements	Walzenkäfig	
12	4121208	1	Campana Frizione	Sprocket	Cloche Friction	Kupplungsglocke	
13	3612620	1	Rosetta	Washer	Rondelle	Scheibe	
14	3351110	1	Fermo	Circlip	Butée	Sperrung	
15	3356050	2	Anello Fermo Spinotto	Circlip	Anneau Butée Pointeau	Sperring Zapfen	
18	3158260	1	Spinotto Pistone	Piston Pin	Pointeau Piston	Kolbenbolzen	
19	3116100	1	Astuccio Rulli	Needle Bearing	Roulement À Aiguilles	Walzenrohr	
20	2135030	4	Vite	Screw	Vis	Schraube	
21	2330020	4	Rosetta	Washer	Rondelle	Scheibe	
22	3123220	1	Fascia Elastica D.39	Piston Ring	Collier Élastique	Kolbenring	
23	8541360/1	1	Ass. Pistone Ø 39 (Incl. 15,18,22)	Piston Assy (Incl. 15,18,22)	Ens.Piston Ø 39	Set Kolben	
24	8541370/1	1	Ass. Cilindro - Pistone Ø 39	Cylinder Pistor Assy	Ens.Cylindre-Piston	Set Zylinder-Kolben	
25	3210024	1	Candela	Spark Plug	Bougie	Zündkerze	
26	3748880	1	Cappuccio Candela	Spark Plug Cover	Capuchon Bougie	Zündkerzenklappe	
27	3657050	1	Molla Attacco Candela	Spring	Ressort Fixation Bougie	Zündkerzenfeder	
N°	Code	Q.ty	Descrizione	Description	Description	Beschreibung	Remarks
28	3721530	1	Protezione	Protection	Protection	Schutz	
29	3210970	1	Interruttore Stop	Switch	Interrupteur D'Arrêt	Stop-Schalter	
32	3211380	1	Cavo Massa	Earth Cable	Câble Masse	Erdungskabel	
33	3211350/1	1	Bobina Elettronica	Electronic Coil	Bobine Électronique	Elektronikspule	
34	3654480	1	Molla Massa	Spring	Ressort Masse	Feder	
35	2321150	2	Rosetta	Washer	Rondelle	Scheibe	
36	2123140	2	Vite	Screw	Vis	Schraube	
37	2123020	1	Vite	Screw	Vis	Schraube	

CARBURATORE, CARBURETTOR, CARBURATEUR, VERGASE



N°	Code	Q.ty	Descrizione	Description	Description	Beschreibung	Remarks
1	2135040	2	Vite	Screw	Vis	Schraube	
2	4122040	1	Ass. Silenziatore	Muffler Assy	Silencieux	Set Schalldämpfer	
3	3724270	1	Guarnizione Silenziatore	Gasket	Garniture Silencieux	Dichtung Schalldämpfer	
5	3786130	1	Tubo Ricircolo Miscela	Tube	Tuyau Recirculation Mélange	Leitung Treibstoff	
7	3743407	1	Leva Aria	Choke Lever	Levier Air	Chokerhebel	
8	8744781	1	Ass. Collettore Supporto Filtro	Intake Manifold Ass.Y	Collecteur Support Filtre	Kollektor Filterhalter	
8,1	3211690	1	Cavo Massa	Earth Cable	Câble Masse	Erdungskabel	
9	2135210	2	Vite	Screw	Vis	Schraube	
10	3745650	1	Gommino Leva Aria	Grommet	Caoutchouc Levier Air	Gummi Chockerhebel	
11	23054003/2	1	Carburatore	Carburettor	Carburateur	Vergaser	Walbro WT 718B
12	3724160	1	Guarniz. Dist. Termic. Coll.Re	Heat Block	Garn. Entret. Therm. Coll.	Dichtung Wärmeisol.	
13	4252480	1	Cavo Accel.Re C/Guaina	Throttle Cable With Sheath	Câble Accélérateur + Gaine	Kabel Gasheb.M.Mantel	
14	3750180	1	Collettore Aspirazione	Intake Manifold	Collecteur Aspiration	Kollektor Ansaugung	
15	3724300	1	Guarnizione Coll.-Cilindro	Gasket	Garniture Coll.-Cylin.	Dichtung Koll.-Zylinder	
16	3744740	1	Primer	Air Purge Pump	Elément Pompant Air Purge	Pumpe Air Purge	
18	8724091	1	Kit Membrane - Guarnizioni	Diaph. - Gasket Set	Jeu Membranes - Garnit.	Membrane-Dichtungen	
19	8724300	1	Serie Guarnizioni Motore	Gasket Set	Jeu Garnitures Moteur	Set Motordichtungen	
20	3721560	2	Guarnizione Cilindro	Cylinder Gasket	Garniture Cylindre	Zylinderdichtung	

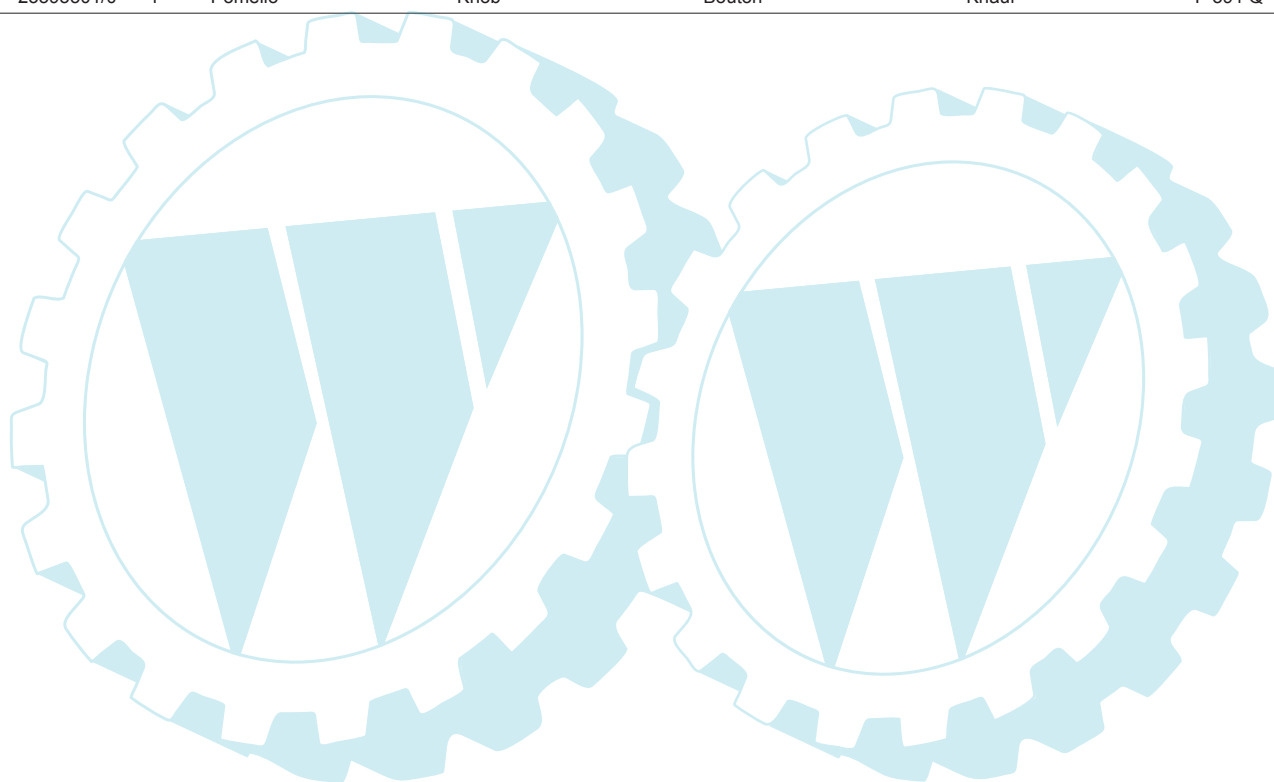
CARTER-GRUPPO TAGLIO, CRANKCASE-TRIM GROUP,
CARTER-GROUPE COUPE, VERGASER



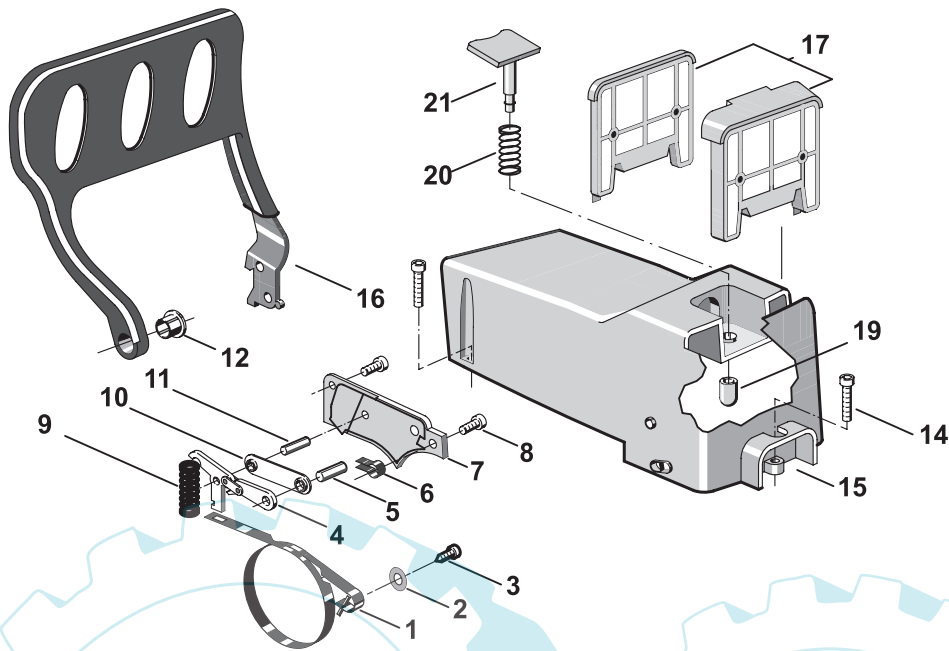
N°	Code	Q.ty	Descrizione	Description	Description	Beschreibung	Remarks
1	83057002/0	1	Ass. Carter Mot.Grigio (In.10-12-13-14-15-18-19-21-22)	Crankcase Grey Assy	Carter Moteur	Motorabdeckung	
2	4252010	1	Tappo Mix	Cap Fuel Tank	Bouchon Mélange	Deckel Treibstofftank	
3	4252010	1	Tappo Olio	Cap Oil Tank	Bouchon D'Huile	Öldeckel	
4	4252220	1	Ass. Pompa Olio	Oil Pump	Pompe À Huile	Satz Ölpumpe	
5	3744790	1	Gommino Fermo Corpo Pompa	Spacer	Caout. Fixation Corps Pompe	Gummi Pumpenkörper	
6	2123020	2	Vite	Screw	Vis	Schraube	
7	3614810	1	Lamierino X Gomm. Fermo Pompa	Retainer	Plaque Caout. Corps Pompe	Blech F. Gummi	
8	23900205/0	1	Barra 14"	Guide Bar 14"	Guide 14"	Stange 14"	14" 3/8" Mini ,050" / 1,3 mm
8	4112560	1	Barra 14" - Oregon	Guide Bar 14" - Oregon	Guide 14" - Oregon	Stange 14" - Oregon	14" 3/8" Mini ,050" / 1,3 mm
8	23900206/0	1	Barra 16"	Guide Bar 16"	Guide 16"	Stange 16"	16" 3/8" Mini ,050" / 1,3 mm
8	4112570	1	Barra 16" - Oregon	Guide Bar 16" - Oregon	Guide 16" - Oregon	Stange 16" - Oregon	16" 3/8" Mini ,050" / 1,3 mm
9	2653470	1	Vite Tendicatena	Screw	Vis Tension Chaîne	Kettenspannschraube	
10	23878001/0	1	Vite Barra	Screw	Vis Guide Te M8X35	Schraube Stange	
11	3641970	1	Tassello Tendicatena	Chain Tightener Block	Goujon Tendeur Chaîne	Kettenspanner	
12	3741360	1	Tappo / Mandata Olio	Oil Supply Cap	Bouchon / Arrivée Huile	Deckel Ölzufuhr	
13	3614930	1	Inserto Rinforzo Base Barra	Insert	Insert Renfort Base Guide	Verstärkung	
14	4353090/1	1	Ass. Tubo Sfiato Olio	Tube Assy Oil Br.	Tuyau Évent Huile	Set Ölablass	
15	23311002/0	1	Lamierino Base Barra	Bar Plate	Plaque Base Guide	Blech Stangenbasis	
16	4113301	1	Catena 14"	Chain 14"	Chaîne 14"	Kette 14"	14" 3/8" .050" / 1.3 mm - 50E
16	23920003/0	1	Catena 16" - Carlton	Chain 16" - Carlton	Chaîne 16" - Carlton	Kette 16" - Carlton	16" 3/8" .050" / 1.3 mm - 56E
16	4113311	1	Catena 16" - Oregon	Chain 16" - Oregon	Chaîne 16" - Oregon	Kette 16" - Oregon	16" 3/8" .050" / 1.3 mm - 56E
17	4252330	1	Ass. Carter Friz. Giallo (+20)	Clutch Housing Yellow	Carter Friction Jaune	Kupplungsabd. Gelb	
17	4252333	1	Ass. Carter Friz. Rosso (+20)	Clutch Housing Red	Carter Friction Rouge	Kupplungsabd. Rot	
18	3786050	1	Tubo Pescante Mix	Fuel Line	Tuyau Plongeur Mélange	Treibstoff-Zufuhrleitung	
19	4253290	1	Ass. Pescante Miscela Walbro	Intake Filter Assy	Plongeur Mélange Walbro	Treibstoffleitung Walbro	
20	2670270	1	Dado Barra	Nut	Erou Guide	Mutter Stange	
21	23650100/0	1	Rinforzo Vite Barra	Bar Screw Reinforcement	Renfort Vis Guide	Verstärkung Schraube	
22	4253680	1	Ass. Valvola Sfiato	Breather Valve Ass.Y	Vanne Évent	Set Lüftungsventil	
23	2123060	1	Vite	Screw	Vis	Schraube	

CARTER-GRUPPO TAGLIO, CRANKCASE-TRIM GROUP,
CARTER-GROUPE COUPE, VERGASER

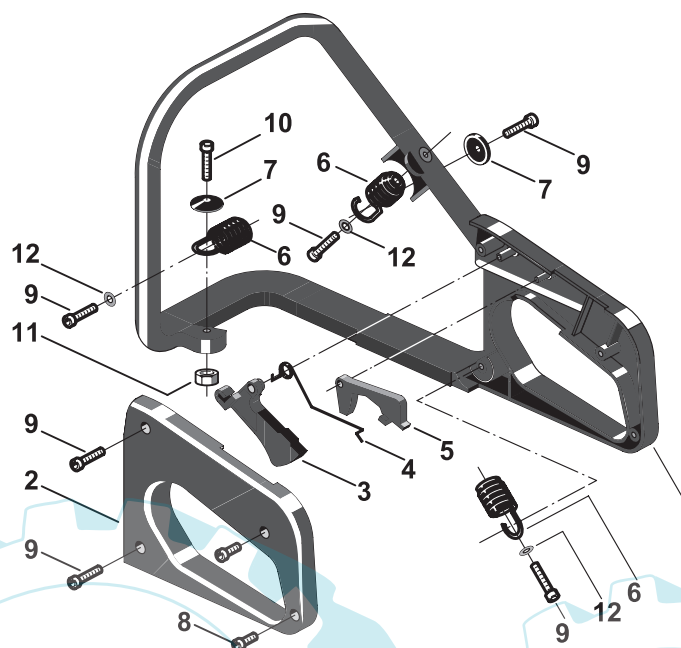
N°	Code	Q.ty	Descrizione	Description	Description	Beschreibung	Remarks
24	4181297	1	Copribarra 14"	Chain Cover 14"	Protège-Guide 14"	Schw. Stangenabdeckung 14"	
24	4181307	1	Copribarra 16"	Chain Cover 16"	Protège-Guide 16"	Schw. Stangenabdeckung 16"	
25	23026000/0	1	Arpione	Spike	Cliquet	Sperrklinke	P 391 Q
26	2123100	1	Vite	Screw	Vis	Schraube	P 391 Q
27	23796003/0	1	Tassello Tendicatena	Chain Tightener Block	Goujon Tendeur De Chaîne	Kettenspanner	P 391 Q
28	2123060	1	Vite	Screw	Vis	Schraube	P 391 Q
29	23650107/0	1	Rinforzo Appoggio Barra	Bar Plate	Renfort Support Guide	Verstärkung Stangenhalter	P 391 Q
30	23059004/0	1	Carter Friz. Arancione	Clutch Housing Orange	Carter Friction Orange	Kupplungsabd. Orange	P 391 Q
31	23250000/0	1	Ghiera	Ring Nut	Bague	Ringbolzen	P 391 Q
32	23593501/0	1	Pomello	Knob	Bouton	Knauf	P 391 Q



CARTER, CRANKCASE, CARTER, GEHÄUSE



N°	Code	Q.ty	Descrizione	Description	Description	Beschreibung	Remarks
1	3614740	1	Nastro Freno C/Spina	Brake Band	Bande Frein + Axe	Bremsband M. Stift	
2	2312150	1	Rosetta	Washer	Rondelle	Scheibe	
3	2123060	1	Vite	Screw	Vis	Schraube	
4	4252310	1	Ass. Leve Freno Catena C/Ma- glie	Chain Brake Lever	Levier Frein Chaîne Maillons	Bremshebel Kette	
5	3180500	1	Rullino D.5X19,8	Needle	Rouleau D.5X19,8 Din 5402	Walze	
6	3614780	1	Fermo	Circlip	Butée	Sperrung	
7	3750117	1	Coperchio Freno Grigio	Grey Cover	Couvercle Frein	Bremsdeckel	
8	2123100	2	Vite	Screw	Vis	Schraube	
9	3654420	1	Molla Freno Catena	Spring	Ressort Frein Chaîne	Feder Kettenbremse	
10	3614490	1	Lamierino Freno	Plate	Plaque Frein	Blech Bremse	
11	3180510	1	Rullino D.6X21,8 Din 5402	Needle	Rouleau D.6X21,8 Din 5402	Walze	
12	3614330	1	Boccola X Paramano Lato Sx	Hand Guard Bushing	Douille Prot.-Main Gauche	Büchse Handsch. Links	
14	2123030	3	Vite	Screw	Vis	Schraube	
15	4252350	1	Ass. Copricilindro Giallo	Cylinder Cover Yellow	Couvre-Cylindre Jaune	Zylinderabd. Gelb	
15	4252353	1	Ass. Copricilindro Rosso	Cylinder Cover Red	Couvre-Cylindre Rouge	Zylinderabd. Rot	
15	4563165	1	Ass. Copricilindro Arancione	Cylinder Cover Orange	Couvre-Cylindre Orange	Zylinderabd. Orange	
16	4563267	1	Paramano C/Inserto	Hand Guard	Protège-Main + Insert	Handschutz M. Einsatz	
17	8781530	1	Filtro Aria	Air Filter	Filtre À Air	Luftfilter	
19	3750227	1	Tappo Pulsante Primer	Air Purge Cap Button	Bouchon Bouton Air Purge	Deckel Knopf Air Purge	
20	3654430	1	Molla Pulsante Primer	Spring	Ressort	Feder Kettenbremse	
21	3750217	1	Primer	Air Purge Pump	Élément Pompant Air Purge	Pumpe Air Purge	



N°	Code	Q.ty	Descrizione	Description	Description	Beschreibung	Remarks
1	4563147	1	Impugnatura-Corrimano	Handle	Poignée - Main-Courante	Griff-Handlauf	
2	4563157	1	Coperchio Impugnatura	Handle Cover	Couvercle Poignée	Deckel Griff	
3	3743587	1	Leva Acceleratore Per Cavo	Throttle Lever For Cable	Levier Accél. Pour Câble	Gashebel F. Kabel	
4	3654440/1	1	Molla Leva Acc./Sicurezza	Spring	Ressort Man. Acc./Sécur.	Feder	
5	3743597	1	Leva Sicurezza	Safety Lever	Levier Sécurité	Sicherheitshebel	
6	3654400	3	Molla Antivibrante Ms	Spring	Ressort Antivibrations Ms	Feder Schwingungsd.	
7	3614800	2	Rosetta	Washer	Rondelle	Scheibe	
8	2123100	3	Vite	Screw	Vis	Schraube	
9	2123031	6	Vite	Screw	Vis	Schraube	
10	2135040	1	Vite	Screw	Vis	Schraube	
11	2432040	1	Dado	Nut	Ecrou	Mutter	
12	2312090	3	Rosetta	Washer	Rondelle	Scheibe	